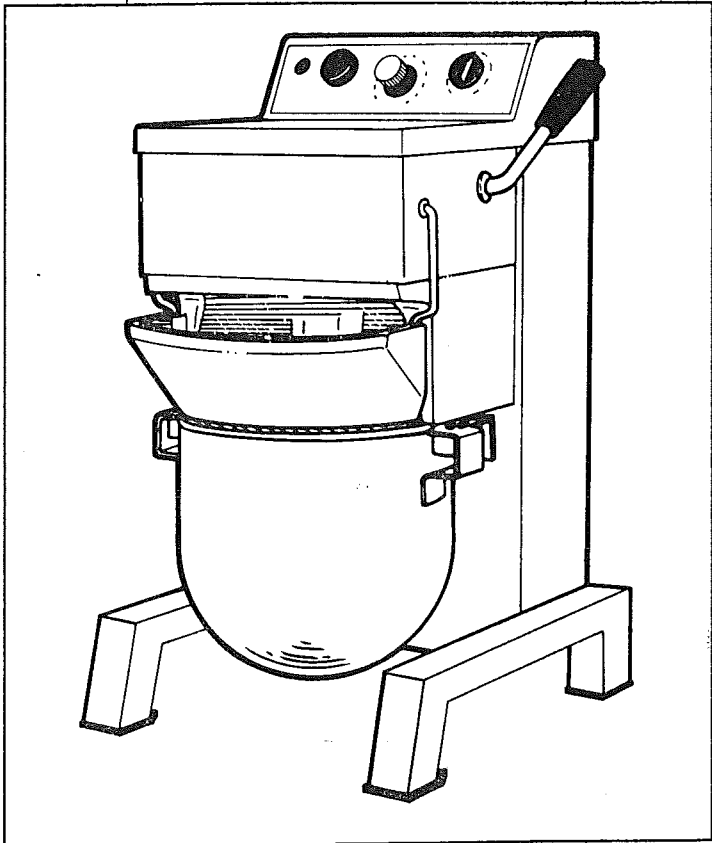


**Crypto
Peerless**

EL10

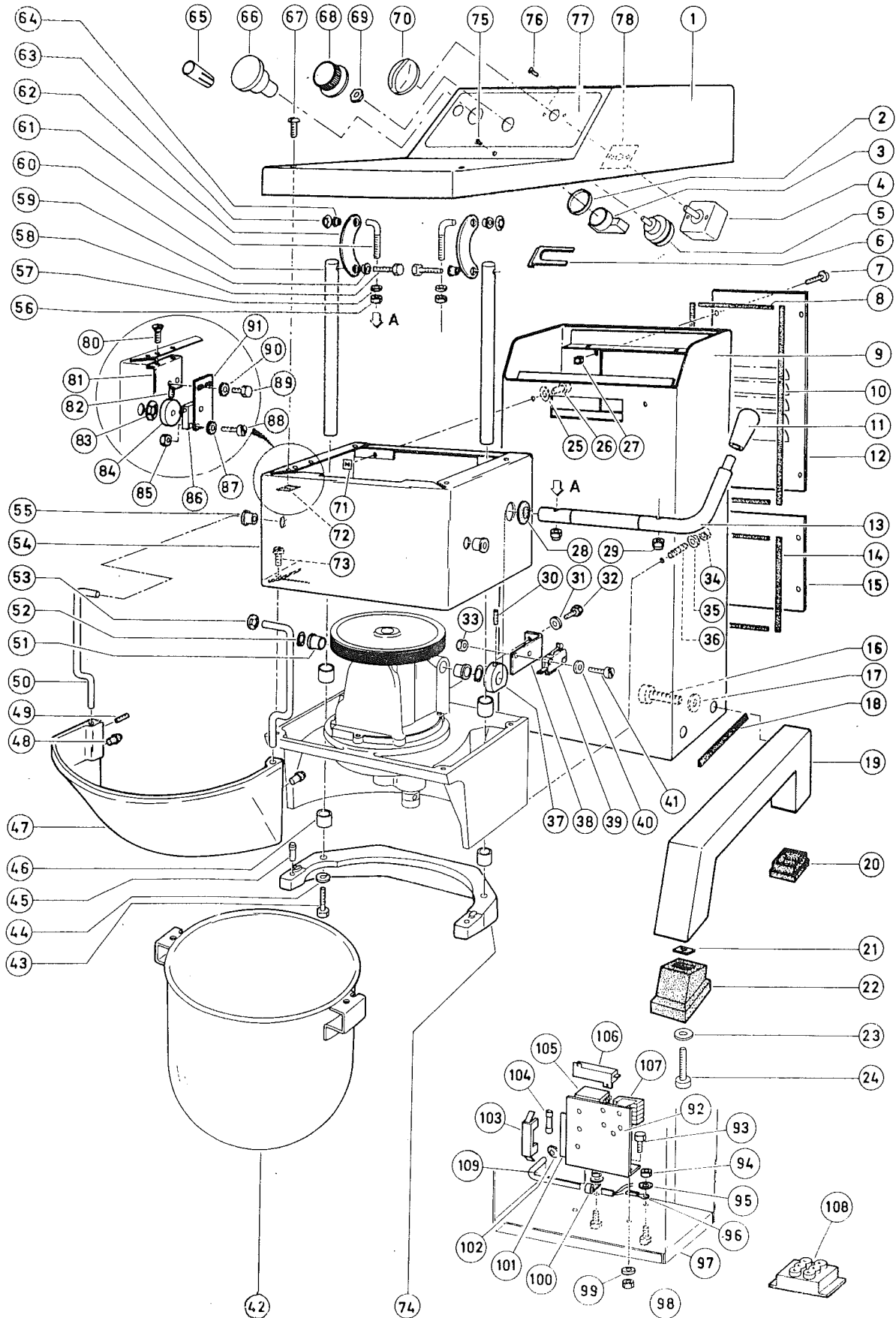
EUROMIXER



INSTALLATION OPERATION MAINTENANCE INSTRUCTIONS

BODY ASSEMBLY

DS44896 Issue 1



BODY ASSEMBLY SPARE PARTS

DS44896 Issue 1

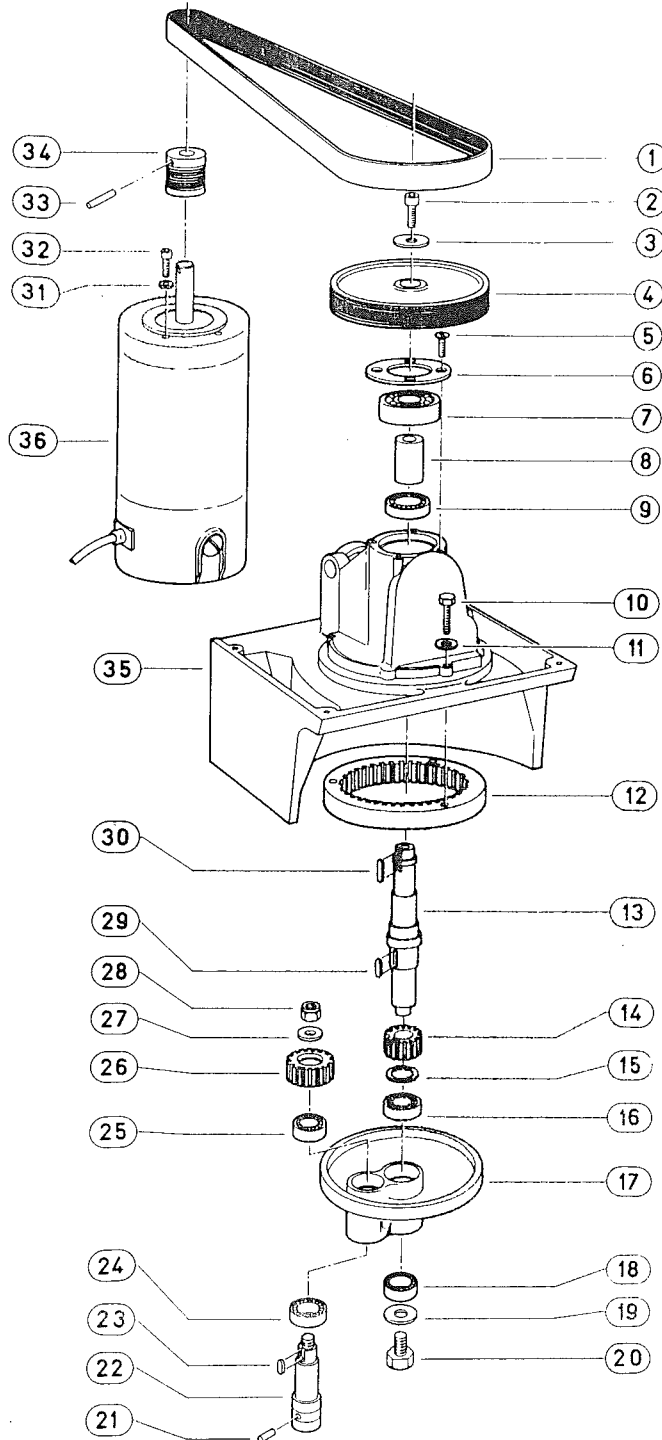
Item	Part No	Description	Qty	Item	Part No	Description	Qty
1	DS12806	Top Cover	1	60	DS04914	Cradle Post	2
2	-	Locking Ring (supplied with item 66)	1	61	DS04916	Crank Arm	
3	51468/04	Contract Block N/C	1	62	DS04915	Crank	2
4	DS11472	Timer 15 Mins	1	63	51154/05	Washer, 'Starlock' 8mm	2
5	DS12807	Potentiometer	1	64	DS04864	Bush Flanged	2
6	DS12809	Bracket, Neon Lamp	1	65	50333/13	Neon Lamp for 200-240v	1
7	3704.012WA	Screw, Mush Hd M4 x 12 st st	10		50333/14	Neon Lamp for 100-120v	
8	50343/02	Gasket		66	51468/03	Stop Button, Emergency	1
9	DS06592	Column	1	67	3704.012WA	Screw, Mush Hd M4 x 12	4
10	50343/02	Gasket		68		Knob, Potentiometer, comprising	1
11	DS05013	Knob, Bowl Lift	1		51072/01	Knob	1
12	DS12800	Rear, Top Cover	1		51072/02	Cap	1
13	DS06599	Bowl Lift Lever	1		51073/05	Dial	1
14	50343/02	Gasket		69	-	Lock Nut (supplied with item 5)	1
15	DS06595	Rear, Bottom Cover	1	70	50699/06	Timer Knob	1
16	3908.020YA	Screw, Skt Hd M8 x 20	6	71	DS02547	Captive Nut, M4	2
17	6108-ZA	Washer, M8	6	72	DS02547	Captive Nut, M4	2
18	DS12805	Seal		73	3705.010WA	Screw, Mush Hd M5 x 10	2
19	DS12801	Leg, RH	1	74	BB43485	Cradle Assembly (items 45 & 74)	1
	DS12802	Leg, LH	1		DS07636	Cradle	1
20	DS12804	Rear Foot	2	75	DS04501	Rubber Stop	1
21	DS04338	Nut, Square	2	76	3804.006WA	Screw, Ch Hd M4 x 6 st st	2
22	DS12128	Front Foot	2	77	DS28872	Fascia	2
23	6106-ZA	Washer, M6	2	78	DS01108	Gasket for Timer	1
24	4106.045WA	Screw, Hex Hd M6 x 45 st st	2	79			
25	6004-ZA	Washer, M4	2	80	3504.010WA	Screw, Csk Hd M4 x 10 st st	2
26	4104.016YA	Screw, Hex Hd M4 x 16	2	81	DS07430	Bracket	1
27	DS06997	Nut, Captive M4	10	82	4004.008WA	Screw, Skt Set M4 x 8 st st	2
28	50210/04	Grommet	1	83	51154/02	Washer, 'Starlock' 12mm	1
29	530-ZA	Nut, Nylc M8	2	84	DS04863	Cam	1
30	4006.010YA	Screw, Skt Set M6 x 10	1	85	5003WA	Nut, M3 st st	2
31	6404TA	Washer, Shakeproof M4	2	86	51191/04	Microswitch	1
32	4104.010WA	Screw, Hex Hd M4 x 10 st st	2	87	6003ZA	Washer, M3	2
33	5003ZA	Nut, M3	2	88	3803.016WA	Screw, Ch Hd M3 x 16 st st	2
34	5008ZC	Nut, M8	4	89	4104.010WA	Screw, Hx Dh M4 x 10 st st	2
35	6108ZA	Washer, M8	4	90	6404TA	Washer, Serrated M4	2
36	4406.045ZA	Stud, M8 x 45	4	91	DS08830	Bracket for Microswitch	1
37	DS04918	Cam	1		DS02401	Insulator	1
38	DS04950	Bracket for Microswitch	1	92		Control Board Assembly complete	
	DS02401	Insulator	1			(items 101, 103-107)	
39	51191/04	Microswitch	1		DS12776	for 200-240V supply	1
40	6003ZA	Washer, M3	2		DS12775	for 100-120V supply	1
41	3803.016WA	Screw, Ch Hd M3 X 16 st st	2	93	4105.012WA	Screw, Hx Hd M5 x 12 st st	2
42	BB43486	Bowl 10 litre	1	94	5004ZA	Nut, M4	2
43	4108.035WA	Screw, Hex Hd M8 x 35 st st	2	95	6404TA	Washer, Serrated M4	2
44	6508-TA	Washer, Spring M8	2	96	50853/01	Terminal Ring	1
45	DS05074	Locating Pin	2	97	3804.012WA	Screw, Ch Hd M4 x 12 st st	2
46	51190/01	Bush	4	98	5005WA	Nut, M5 st st	2
47	DS08778	Guard	1	99	6005WA	Washer, M5	2
	DS03705	Guard Kit complete (items 47-50, 53, 55, 75, 80-81)		100	50279/08	Cable Clip	1
48	DS03052	Rubber Stop	2	101	<i>see item 92</i>	PC Board for 200-240V supply	1
49	4006.008WA	Screw, Skt Set M6 x 8 st st	2		<i>see item 92</i>	PC Board for 100-120V supply	1
50	DS03444	Arm	2	102	50210/05	Grommet	1
51	DS03128	Bush, Flanged	2	103	51560/02	Fuse Holder	1
52	50274/35	Circlip, 14mm dia	1	104	51132/07	Fuse, 16Amp - for 200-240V supply	1
53	51154/04	Washer, 'Starlock' 6mm	2		51132/08	Fuse, 20Amp - for 100-120V supply	1
54	DS06594	Planetary Cover	1	105	50915/04	Relay for 200-240V supply	1
55	DS05436	Bush, Flanged	1		50915/05	Relay for 100-120V supply	1
56	5008ZA	Nut, M8	2	106	51071/01	Resistor, 10 ohm	1
57	5108ZA	Nut, Lock M8	2	107	51348/08	Contactora for 200-240V supply	1
58	4108.020WA	Screw, Hex Hd M8 x 20 st st	2		51348/09	Contactora for 100-120V supply	1
59	DS04864	Flanged Collar	2	108	DS12152	Terminal Block	1
				109	50499/13	Cord Set (with UK moulded plug)	1

22

EL 10

PLANETARY & DRIVE

DS44897 Issue 1



Item	Part No	Description	Qty
1	50634/12	Drive Belt	1
2	4106.020ZA	Screw, Skt Cap M6 x 20	1
3	DS02865	Washer, Large	1
4	DS06582	Driven Pulley	1
5	3505.016WA	Screw, Csk M5 x 16	4
6	DS06580	Plate, Retainer	1
7	50970/06	Bearing	1
8	DS06584	Spacer	1
9	50970/04	Bearing	1
10	4106.030WA	Screw, Hex Hd M6 x 30 st st	2
	4106.060WA	Screw, Hex Hd M6 x 60 st st	1
11	6106ZA	Washer, M6	3
12	DS06591	Annulus	1
13	DS07086	Sun Shaft	1
	DS05446	Sun Shaft Assembly (items: 2, 3, 13, 19, 20, 29 & 30)	1
14	DS06588	Sun Gear	1
15	DS01855	Spacer	1
16	50970/05	Bearing	1
17	DS04893	Lower Housing	1
	DS05452	Lower Housing Assembly (items: 16-18, 21-25, 27 & 28)	1
18	50067/01	Bearing	1
19	DS04898	Washer	1
20	4106.016YC	Screw, Hex Hd M10 x 6	1
21	MDP0835	Drive Pin	1
22	DS07087	Spindle	1
	DS05450	Spindle Assembly (items: 21-23, 27 & 28)	1
23	MRE050520	Key	1
24	50970/05	Bearing	1
25	50067/01	Bearing	1
26	DS06586	Planet Gear	1
27	6110ZA	Washer, M10	1
28	5310ZA	Nut, Nyloc M10	1
29	MRE050520	Key	1
30	MRE060620	Key	1
31	6106-ZA	Washer, M6	4
32	3906.020YA	Screw, Skt Cap M6 x 20	4
33	50428/14	Pin, Roll	1
34	DS06583	Drive, Pulley	1
	DS07382	Drive Pulley and Pin (items 33 & 34)	1

Item	Part No	Description	Qty
35	DS04866	Planetary Housing	1
36	DS06601	Motor for 200V-240V/1ph/50-60 Hz	1
	DS07380	Motor Assy (items 33, 34 & 36) for 200V-240V/1ph/50-60 Hz	1
	DS06608	Motor for 100V-120V/1ph/50-60 Hz	1
		Motor Assy (items 33, 34 & 36) for 100V-120V/1ph/50-60 Hz	1
	DS07131	Brushes for motor	2